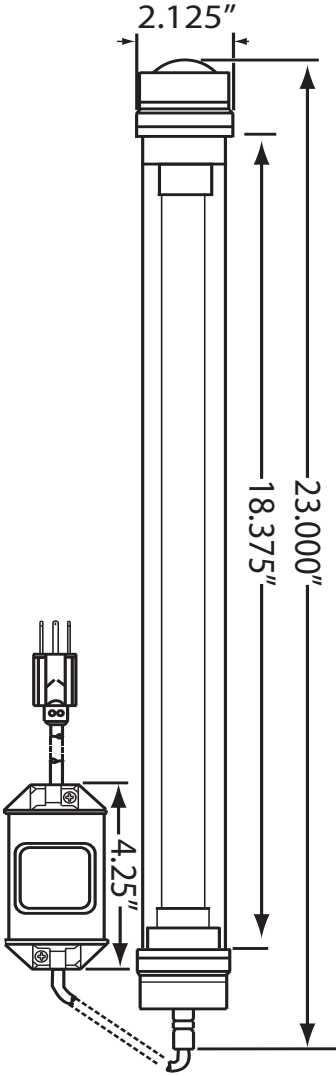




Technical Specifications



Safety Certifications	
ULeCUL Listed	
Waterproof Certification	
IP 54 (Splashproof)	
Dimensions	
• Length	23.000"
• Diameter	2.125"
• Beam	180°
• Net Weight	4 lbs
Material Specifications	
• Plastic	PVC
• Lens	Polycarbonate/Lexan
Electrical Specifications	
• Voltage	120 VAC
• Cycle	60hz
• Ballast	In-line Magnetic coil ballast
• Amperage	.3
• Wattage	15
• Lumen rating	870
• Kelvin (color temperature)	4,100
• On/off switch	Push button at end cap
Cord Specifications	
• Certification	SJT (oil resistant)
• Length	25'
• Plug	Standard grounded US 3 prong male plug. (NEMA 5-15)
• Composition	16 gauge 3-conductor copper wiring, SJT (oil resistant) certified neoprene jacket
Accessories/Options	
• Lens	Glass tube lens
• Mounting Brackets	FLP-1, FLP-2, FLP-3, FLP-4, FLP-5, FLP-6, FLP-7, FLP-8 (All Pictured Below)
• Bulbs	F15T8CW

Products specifications are subject to change.

See optional accessories below:

