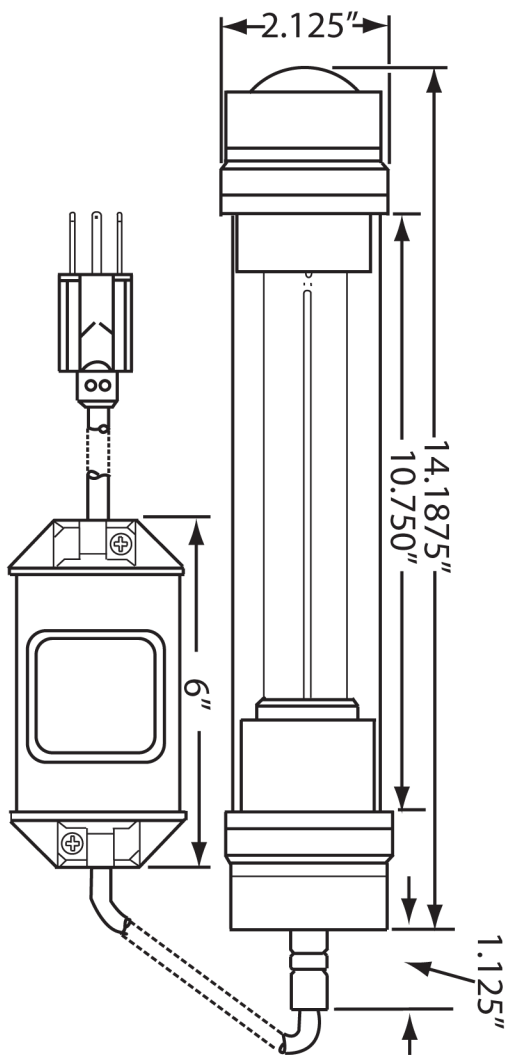


Technical Specifications



| Safety Certifications | |
|--|---|
| CE Mark of Declaration, RoHS Compliant | |
| Waterproof Certification | |
| IP 67 (Waterproof under pressure) | |
| Dimensions | |
| • Length | 14" |
| • Diameter | 2.125" |
| • Beam | 80° |
| • Net Weight | 3.0 lbs |
| Material Specifications | |
| • Plastic | PVC |
| • Lens | Polycarbonate/Lexan |
| Electrical Specifications | |
| • Voltage | 100-240 VAC |
| • Cycle | 50/60hz |
| • Driver | Variable voltage inline smart driver |
| • Amperage | .22 @ 120 VAC |
| • Wattage | 14 watts |
| • Lumen rating | 1800 |
| • Kelvin (color temperature) | 5,000 |
| • On/off switch | Push button at end cap |
| Cord Specifications | |
| • Certification | SJT (oil resistant) |
| • Length | 25' |
| • Plug | Standard grounded US 3 prong male plug. (NEMA 5-15) |
| • Composition | 16 gauge 3-conductor copper wiring, SJT (oil resistant) certified neoprene jacket |
| Accessories/Options | |
| • Lenses | Glass tube lens |
| • Mounting Brackets | FLP-1, FLP-2, FLP-3, FLP-4, FLP-5, FLP-6, FLP-7, FLP-8 (All Pictured Below) |

Product Specifications are subject to change.

See optional accessories below:



FLP-1



FLP-2



FLP-3



FLP-4



FLP-5



FLP-6



FLP-7



FLP-8



HALOGEN LIGHTING PRODUCTS CORPORATION™

Telephone: 1-800-621-0001 • www.halogen-lighting.com